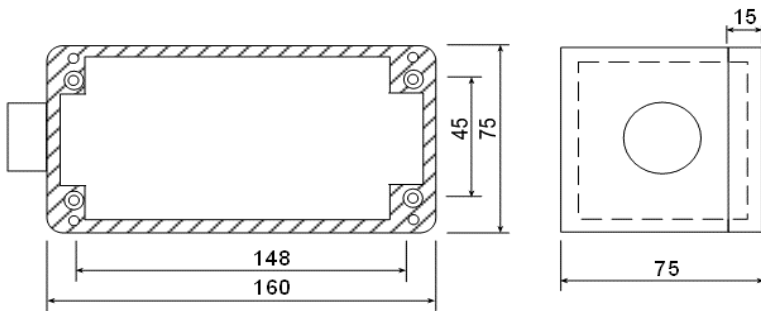


Dimensions



FSP 30 transmitter & receiver (clamp version)

- highest intensity
- reach: up to 30 m / 100 m
- external light tolerant (FSP 30-7)
- especially for harsh environmental conditions
- high tolerance against lateral offset
- opt. protective equipment against pollution

FSP30 - 6 -		E -		1		2		0		3		- E	
Extraneous light		Emitter / Receiver		Voltage		Output		Connection		Sensor head		Option	
		S	emitter	0	via emitter	none <sup>2</sup>		clamps		protective glass	A		-
		E	receiver	1	230 VAC	PNP/NPN		plugs		-	B		-
				2	24 VDC	relay change				optical fibre "CO"	C		-
				3	115 VAC	2x N.O. relays				pol.-filter (PF)	D		-
				4		2x N.C. relays				IR-filter/ PF <sup>3</sup>	E		+ range <sup>4</sup>
				5		N.C. + N.O. relay				lens optic	L		-
	6 sensitive			6		-				protective cone+PF	K		KSQM <sup>5</sup>
	7 insensitive <sup>1</sup>			7		-				prot.cone+IR-F/PF <sup>3</sup>	S		heating
				8		-					V		FR-signal <sup>6</sup>
				9		none <sup>2</sup>							

1 ... with synchro-cable  
 2 ... emitter (no output) 0.. FSP30-6; 9 .. FSP30-7  
 3 ... transmitter infrared-filter; receiver polarisation filter  
 4 ... increased range  
 5 ... KSQM = customer specific version  
 6 ... FR = add. output: function-reserve (relay change)

Reach <sup>(1,2)</sup> (m)	standard (polfilter, IR-filter)	lens optics	optical fibre
direct (w/o optical fibre)	30	100	20

1 ... maximum values for IR variants; adjustment by potentiometer or front switch (50%)  
 2 ... hysteresis 10%

<b>Electrical Data</b>	
Power	24 VDC / 115 VAC / 230 VAC
Ripple	max. 10 %
Reverse voltage protection	built in
Current consumption idle mode	max. 45 mA
Current consumption switch mode	max. 50 mA
Output current	200 mA
Short circuit protection	built in
Voltage indicator	LED green
Switch mode indicator	LED yellow
Function reserve indicator	LED red
Switching distance	depending on configuration (refer to table)
Switching frequency	100 Hz/1kHz
Readiness hold-up	2,5 ms
Tolerance against extraneous light	depending on spec. type
Output	transistor / relay change / relay (depending on spec. type)
Connection	clamp / plug connection (depending on spec. type)
<b>Physical Data</b>	
Light	IR 880nm
Housing	polyester housing
Protection	IP 54 / IP 65
Mass	2 x 1.200 g
Ambient temperature	"-10°C ... +60°C"

Connection scheme

